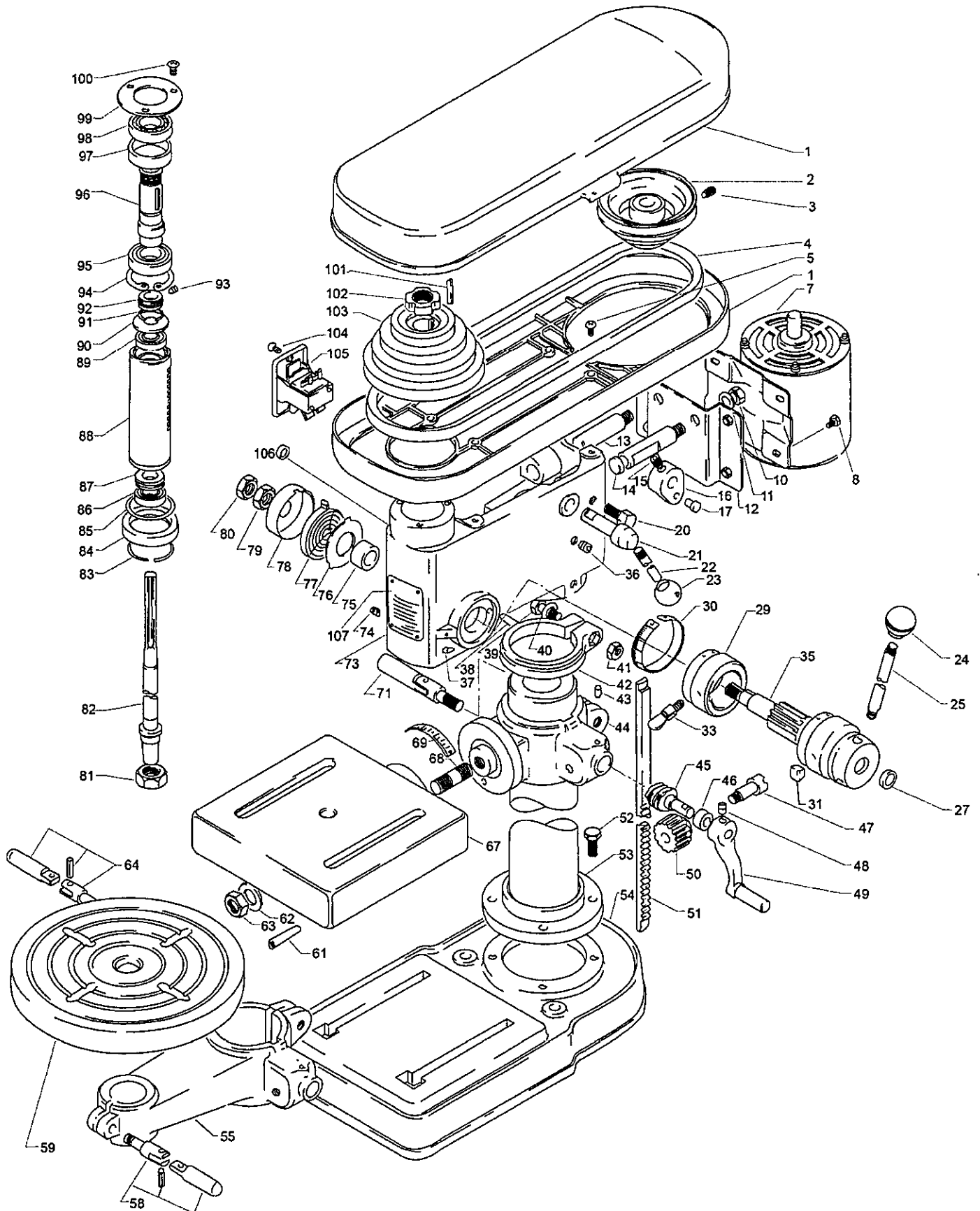


# 9. PARTS LIST



## 9. PARTS LIST

NO	Spec	Parts No.	Parts Name	Remarks	Q'ty
1		NR-38-A	Cover assy		1
2		NR-68-C	Pulley (Motor)		1
3		BTA-M06*012-K	Hex. socket head stop screw	M6*12 (Cup point)	1
4		BL1-A-39	V Belt	A-39	1
5		BT6-M06*010	Cross recessed head machine screw	M6*10	4
7	251	MO1-0.25KW*4*100C	Motor	SIK-SBKK8	1
7	252	MO1-0.25KW*4*200B	Motor	IK-SBKK8	1
8		BTI-M06*012-M	Cross hexagonal with flange bolt	M6*12	4
10		NT1-M12	Hex. nut	M12	2
11		ZG2-M12	Spring washer	M12	2
12	251	NR-2364-2A	Base(Motor)		1
12	252	NR-2364-1A	Base(Motor)		1
13		NR-2366-1A	Guide		1
14		3B-2365-2A	Guide		1
15		BTA-M10*012-K	Hex. socket head stop screw	M10*12 (Cup point)	1
16		3B-2374-A	Shifter		1
17		3B-2376-A	Pin		1
20		BT1-M10*025	Hex. bolt	M10*25	1
21		3C-2368-2C	Shifter		1
22		2C-2341-A	Handle		1
23		KN-41-A	Knob		1
24		R-45-B	Knob		3
25		R-44-A	Handle		3
27		R-42-C-A	Name plate		1
29		NR-49-2A	Sleeve		1
30		NR-50-B	Name plate		1
30		BTD-#2*5	Tack	#2*4.8	2
31		KI-53-1A	Clamp piece		1
33		AS1-NR54-1	Clamp bolt with handle		1
35		AS0-NR46-2	Pinion shaft (Ass'y)		1
36		BTA-M10*010-K	Hex. socket head stop screw	M10*10 (Cup point)	2
37		NR-52-A	Name plate		1
37		BTD-#2*5	Tack	#2*4.8	1
38		PN2-06*020-N	Taper pin	6*20	1
39		BT1-M08*050	Hex. bolt (Continuous thread)	Black	1
40		ZG1-M08-U	Plain washer	M8	1
41		NT1-M08	Hex. nut	M8	1
42		3B-2003-A	Stop ring		1
43		BTA-M06*015-K	Hex. socket head stop screw	M6*15 (Cup point)	1
44	S3	NS-4-E	Bracket		1
45		KI-78-1	Shaft (Worm)		1
46		KI-79-A	Bush		1
47		KI-77-B	Shaft		1
48		BTA-M08*010-K	Hex. socket head stop screw	M8*10 (Cup point)	1
49		NR-87-C	Handle		1
50		KI-76-A	Gear(16T)		1
51	C	NR-85-A	Rack	(□10*15*635)	1
51	100L	NR-1004	Rack	(□10*15*733)	1
52		BT1-M10*030	Hex. bolt	M10*30	4
53	C	R-1002-B	Column		1
53	100L	R-1002-2	Column	(100mm long)	1

## 9. PARTS LIST

NO	Spec	Parts No.	Parts Name	Remarks	Q'ty
54		R-1-C	Bed		1
55	R3	NR-4-E	Bracket		1
58	R3	AS1-R-8	Clamp bolt with handle		1
59	R3	R-7-C	Table		1
61	S3	PN2-06*030	Taper pin	6*30	1
62	S3	ZG1-M16-U	Plain washer	M16	1
63	S3	NT1-M16	Hex. nut	M16	1
64	R3	AS1-R-5	Clamp bolt with handle		1
67	S3	S-7-E	Table		1
68	S3	S-8-A	Bolt		1
69	S3	KS-4-2B	Name plate (Scale)		1
69	S3	BTD-#2*5	Tack	#2*4.8	2
71	S3	AS1-R-5	Clamp bolt with handle		1
73		NR-10-H	Head		1
74		2C-2115-A	Key	BTG-M10*020	1
75		R-12-A	Bush		1
76		12B-2242-C	Holder (Spring)		1
77		12B-2243-D	Spiral spring		1
78		12B-2244-B	Case		1
78		12B-2244A	Spring case set		1
79		3B-2219-A	Nut		1
80		3B-2245-A	Nut		1
81	JT6	NR-17-A	Nut		1
82	JT6	NR-20-I	Spindle(JT6)	( $\phi$ 25*329)	1
83		NR-15-3B	Stop ring		1
84		NR-15-2A	Collar		1
85		3C-2114-A	Packing		1
86	JT6	BE1-6203ZZ	Ball bearing	6203ZZ	1
87	JT6	BE6-51103	Thrust ball bearing	51103	1
88	JT6	NR-15-H	Rack sleeve		1
89	JT6	BE1-6202ZZ	Ball bearing	6202ZZ	1
90	JT6	R-25C-A	Collar		1
91	JT6	R-25B-A	Stop ring		1
92	JT6	R-25-A	Collar		1
93	JT6	BTA-M06*006-K	Hex. socket head stop screw	M6*6 (Cup point)	1
94		RG1-R052	Stop ring	R52	1
95		BE1-6205Z	Ball bearing	6205Z	1
96		NR-27-E	Shaft	( $\phi$ 30*1830)	1
97		R-30-B	Collar		1
98		BE1-6205Z	Ball bearing	6205Z	1
99		NR-30-1	Cover		1
100		BT6-M06*010	Cross recess screw	M6*10	3
101		KY1-05*05*016RR	Parallel key	5*5*16RR	1
102		NT3-AN05	Bearing nut	AN05	1
103		NR-32-A	Pulley		1
104		BT7-M04*008	Countersunk head screw	M4*8	2
105		KI-2702-2	Push button switch	BSP215NB3KRC	1
106		KI-86-A	Bush	Rubber bush	2
107		BTD-#2*5	Tack	#2*4.8	4
107		NS-81-9A	Name plate		1