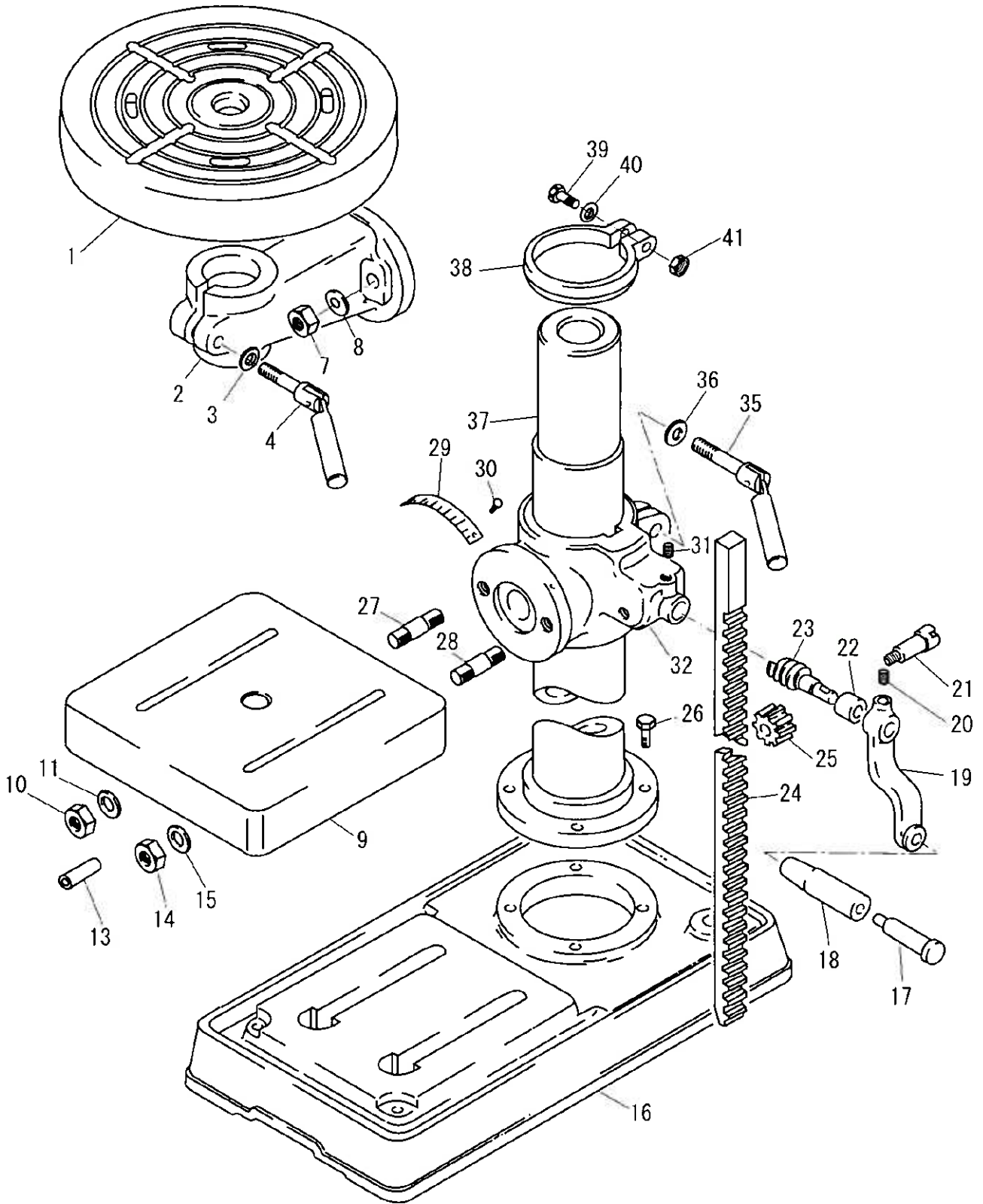
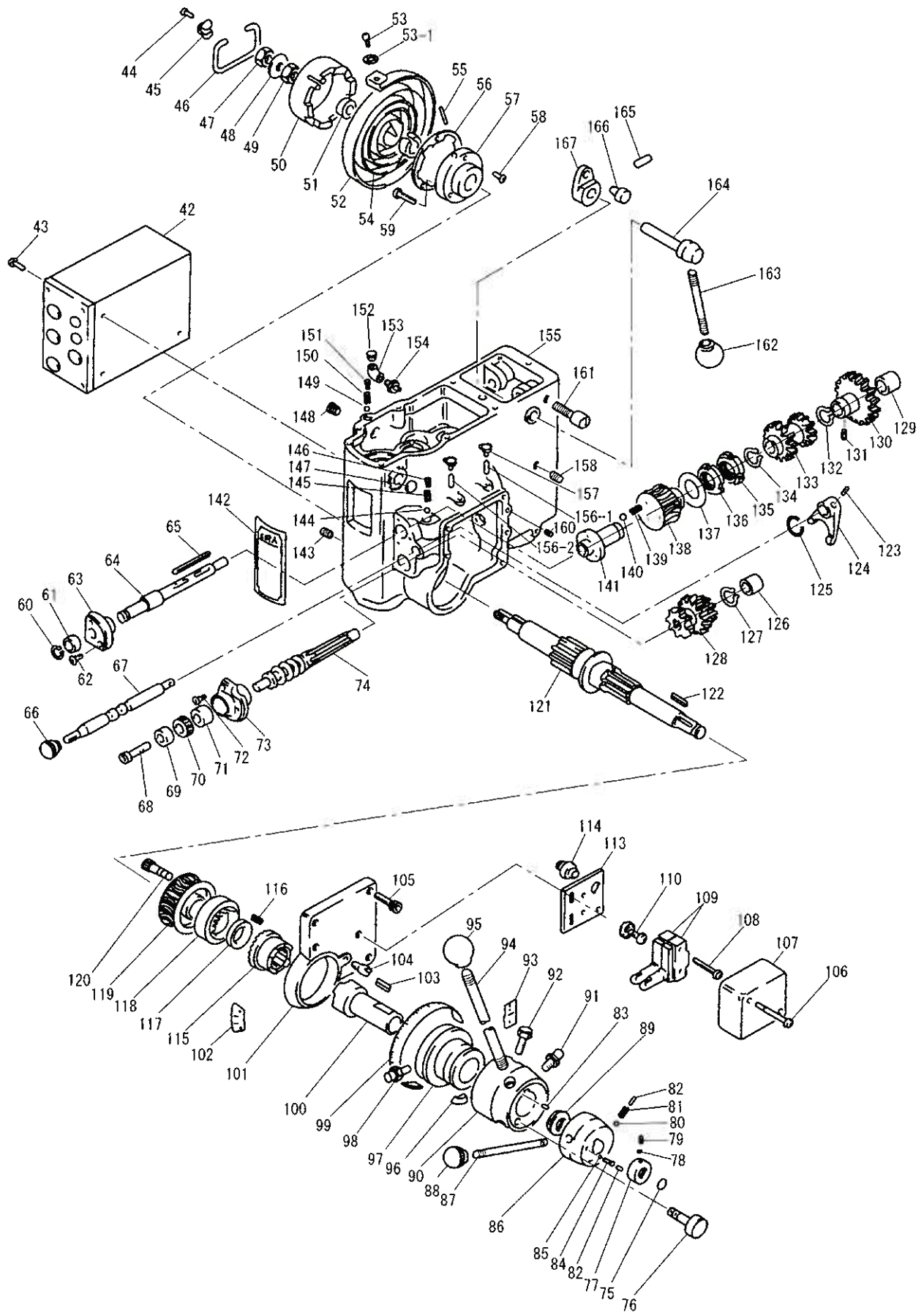
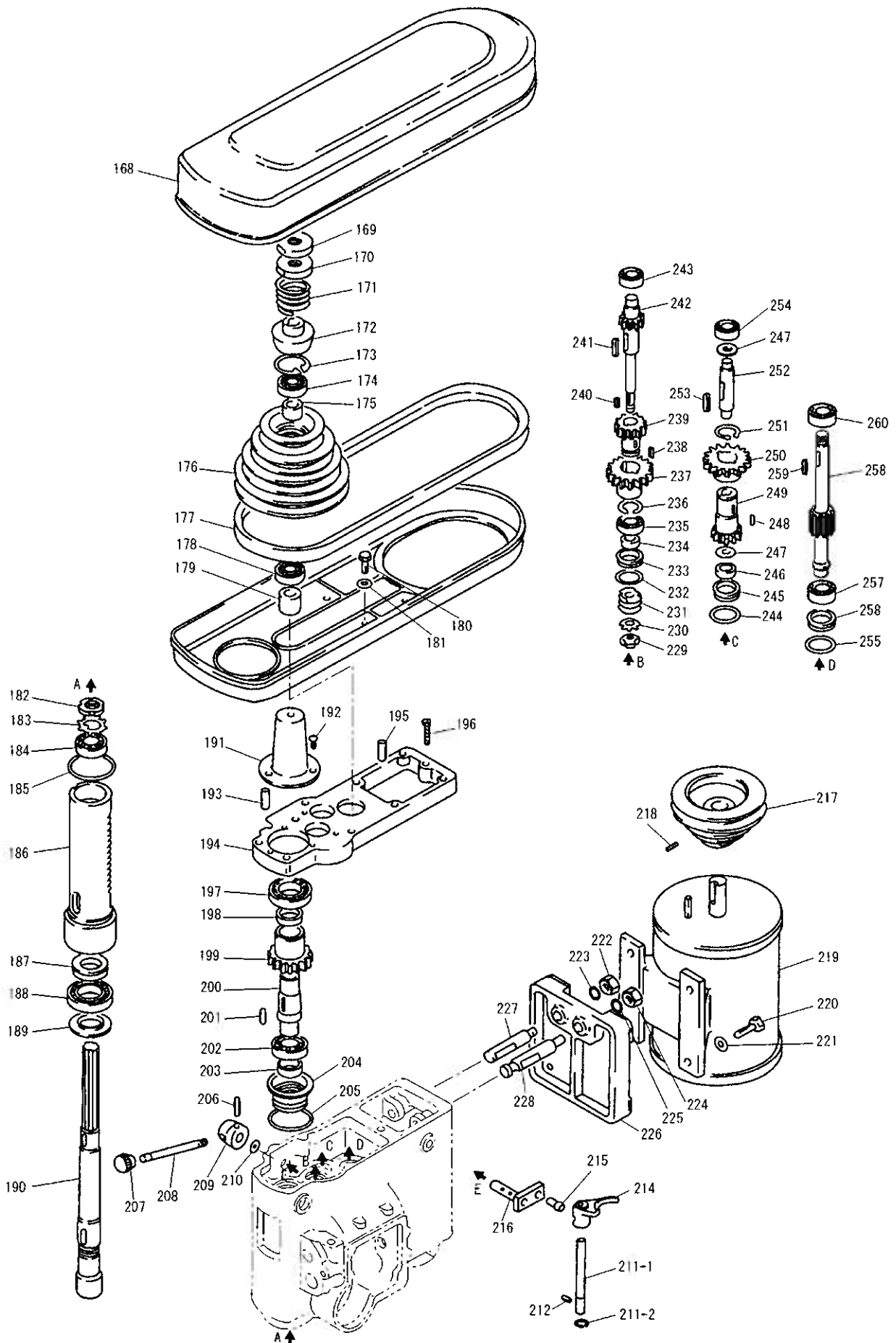


# 10. PARTS LIST





KRTG-420



## 10. PARTS LIST

NO	Spec	Parts number	Part name	Remark	Q'ty
1	R4	KI-7R-D	Table		1
2	R4	KI-4R-D	Holder		1
3	R4	ZG1-M12	Plain Washer	M12	1
4	R4	AS1-KI-5-1B	Clamp bolt		1
7	R4	NT1-M16	Hex. nut	M16	2
8	R4	ZG1-5/8-A	Plain Washer	5/8	2
9	S4	KI-7-D	Table		1
10	S4	NT1-M16	Hex. nut	M16	1
11	S4	ZG1-5/8-A	Plain Washer	5/8	1
13	S4	PN2-06*030	Taper pin	6*30	1
14	S4	NT1-M16	Hex. nut	M16	1
15	S4	ZG1-5/8-A	Plain Washer	5/8	1
16		KI-1-C	Bed		1
17		KI-1059-C	Pin		1
18		KI-1060-D	Knob		1
19		KI-81-D	Handle		1
20		BTA-M08*012-K	Hex. socket head stop screw	M8*12 (Cup point)	1
21		KI-77-B	Shaft		1
22		KI-79-A	Bush		1
23		KI-78-1	Shaft		1
24		KI-85-D	Rack	16*20*620	1
25		KI-76-A	Gear(16T)		1
26		BT1-M10*035	Hex. bolt	M10*35	4
27		KI-8-A	Bolt		1
28		KI-8-A	Bolt		1
29	S4	KI-4-2B	Name plate		1
30	S4	BTD-#2*5	Tack	#2*4.8	2
31		BTA-M06*015-K	Hex. socket head stop screw	M6*15 (Cup point)	1
32		KI-4-G	Bracket		1
35		AS1-KI-5-1B	Clamp bolt		1
36		ZG1-M12	Plain Washer	M12	1
37	C	KI-2-F	Column		1
37	200L	KI-2-4D	Column	200mm (Long)	1
38		KI-89-B	Stop ring		1
39		BT1-M08*055	Hex. bolt	M8*55	1
40		ZG1-M08-U	Plain Washer	M8	1
41		NT1-M08	Hex. nut	M8	1
42		2C-2751-200V	Electric control box	KAWAMOTO	1
43		BT6-M06*010	Cross recessed head machine screw	M6*10	3
44		BT6-M04*006-PL	Cross recessed head machine screw	M4*6	4
45		2C-2264-B	Stopper		2
46		2C-2263-B	Handle		1
47		3B-2245-A	Nut		1
48		ZG1-M14	Plain Washer	M14	1
49		3B-2219-A	Nut		1
50		2C-2250-2B	Spring case		1
51		COL1-015025006B	Collar(1)	2C-2253-2(Previous)	1
52		2C-2250A	Spring case set		1
52		2C-2249-A	Spiral spring		1

NO	Spec	Parts number	Part name	Remark	Q'ty
53		BT6-M04*008-PL	Cross recessed head machine screw	M4*8	1
53-1		ZG1-M04-PL	Plain Washer	Black	1
54		2C-2252-A	Collar		1
55		PN3-06*020	Spring pin	6*20	1
56		2C-2261-B	Plate		1
57		2C-2246-B	Bush		1
58		BT7-M03*006-PL	Countersunk head screw	M3*6	3
59		BT6-M06*020-U	Cross recessed head machine screw	M6*20	3
60		RG1-S016	Stop ring	S16	1
61		COL1-016025005B	Collar(1)	2C-2419 (Previous)	1
62		BT7-M05*012	Countersunk head screw	M5*12	2
63		2C-2417-B	Metal		1
64		2C-2403-E	Shaft	(φ22*203)	1
65		KY1-05*05*080RR	Parallel key	5*5*80RR	1
66		KN-41-A	Knob		1
67		2C-2430-B	Lever		1
68		BT2-M06*015	Hex socket head bolt	M6*15	1
69		2C-2428-A	Collar		1
70		BE6-51102	Thrust ball bearing	51102	1
71		2C-2418-B	Bush		1
72		BT7-M05*012	Countersunk head screw	M5*12	3
73		2C-2425-B	Metal		1
74		2C-2422-C	Shaft	(φ28*193)	1
75		R-42-C-A	Name plate		1
76		2C-2217-7A	Pin		1
77		2C-2237-5B	Nut		1
78		BTF-4.5*2	Set shoe		1
79		BTA-M06*006-K	Hex. socket head stop screw	M6*6 (Cup point)	1
80		BEZ-1/4	Steel ball	38721	1
81		2C-2268-A	Coil spring		1
82		BTA-M08*008-H	Hex. socket head stop screw	M8*8 (flat point)	2
83		BTA-M06*008-K	Hex. socket head stop screw	M6*8 (Cup point)	3
84		3B-2208-B	Coil spring		1
85		BEZ-1/4	Steel ball	38721	1
86		2C-2227-5B	Boss		1
87		KN-40-A	Handle		1
88		KN-41-A	Knob		1
89		BE7-AXK1104	Thrust bearing	AXK1104	1
89		BE8-AS1104	Thrust washer	AS1104	2
90		2C-2216-5B	Boss		1
91		2B-2230-A	Stopper		1
92		BT1-M08*015-K-109	Hex. heighten bolt	M8*15	1
93		4A-2804-A	Name plate		1
93		BTD-#2*5	Tack	#2*4.8	2
94		R-44-A	Handle		3
95		R-45-B	Knob		3
96		KI-53-1A	Clamp piece		1
97		2C-2213-5D	Flange		1
98		2B-2230-A	Stopper		1

## 10 PARTS LIST

NO	Spec	Parts number	Part name	Remark	Q'ty
99		2B-2803-A	Name plate		1
99		BTD-#2*5	Tack	#2*4.8	2
100		2C-2212-6B	Clutch		1
101		2C-2438-5A	Cover		1
102		2C-2802-3A	Name plate		1
102		BTD-#2*5	Tack	#2*4.8	2
103		KY1-05*05*022RR	Parallel key	5*5*22RR	1
104		2C-2231-A	Pin		1
105		BT2-M06*020	Hex socket head bolt	M6*20	4
106		BT6-M04*045	Cross recessed head machine screw	M4*45	2
107		2C-2727-6C	Cover		1
108		BT6-M04*040	Cross recessed head machine screw	M4*40	2
109		EP5-Z-15GQ22-B	Micro switch	Z-15GQ22-B	2
110		BTJ-M05*015-P3-M	Cross recessed head sems screw	M5*15	2
113		2C-2727-5B	Plate		1
114		EL8-NC-1	Code lock	NC-1	1
115		3B-2207-6D	Clutch		1
116		4B-2208-2	Coil spring		3
117		COL1-028042008B	Collar (1)		1
118		2C-2203-5B	Clutch		1
119		2C-2202-D	Gear		1
120		BT2-M06*012	Hex socket head bolt	M6*12	4
121		2C-2201-5I	Pinion shaft	(φ55*360)	1
122		KY1-05*05*020RR	Parallel key	5*5*20RR	1
123		BTA-M06*008-K	Hex. socket head stop screw	M6*8 (Cup point)	1
124		2C-2431-B	Shifter		1
125		R-25B-A	Stop ring		1
126		2C-2418-B	Bush		1
127		RG1-S020	Stop ring	S20	1
128		2C-2424-B	Gear		1
129		2C-2418-B	Bush		1
130		2C-2405-B	Gear(33T)		1
131		BTA-M06*006-K	Hex. socket head stop screw	M6*6 (Cup point)	1
132		2C-2407-A	Ring		1
133		2C-2408-B	Gear		1
134		RG3-WR24	Retaining ring uniform section	WR24	1
135		2C-2415-A	Nut		1
136		2C-2415-A	Nut		1
137		COL1-032052003B	Collar (1)	2C-2414 (previous)	1
138		2C-2411-D	Gear		1
139		2C-2413-A	Coil spring		3
140		BEZ-1/4	Steel ball	1/4	3
141		2C-2410-E	Holder (wheel)		1
142		2C-2801-8A	Name plate		1
142		BTD-#2*5	Tack	#2*4.8	4
143		2C-2115-A	Key	BTG-M10*020	1

NO	Spec	Parts number	Part name	Remark	Q'ty
144		BEZ-1/4	Steel ball	1/4	1
145		2A-2243-A	Coil spring		1
146		BTG-M08*008	Slotted set screw	M8*8	1
147		OG1-VA-01	Oil pot window	VA-01	1
148		BTE-PT03	Hex socket head plug	PT3/8	1
149		BEZ-1/4	Steel ball	1/4	1
150		2C-2345-A	Coil spring		1
151		BTG-M08*008	Slotted set screw	M8*8	1
152		BTE-PT03	Hex socket head plug	PT3/8	1
153		WC3-PT03-45	Elbow		1
154		WC1-PT03	Nipple	PT3/8	1
155		2C-2001-W	Head		1
156-1		PH6-08mm	Nylon pipe	30mm	1
156-2		PH6-08mm	Nylon pipe	40mm	1
157		LCC-#211-1/4	Oil cup	1/4	3
158		BTA-M12*015-K	Hex. socket head stop screw	M12*15 (Cup point)	4
160		BTA-M06*012-K	Hex. socket head stop screw	M06*12 (Cup point)	2
161		BT1-M10*030	Hex. bolt	M10*30	2
162		KN-41-A	Knob		1
163		2C-2341-A	Handle		1
164		2C-2368-2B	Shaft		1
165		BTA-M10*012-K	Hex. socket head stop screw	M10*12 (Cup point)	1
166		3B-2376-A	Pin		1
167		2C-2374-C	Shifter		1
168		2C-2601-A	Cover (Assembly))		1
169		2C-2386-A	Nut	(φ55*315)	1
170		2C-2386-A	Nut	(φ55*315)	1
171		3C-2311-A	Coil spring		1
172		2C-2381-A	Clutch		1
173		RG1-R047	Stop ring	R47	1
174		BE1-6204UU	Ball bearing	62042NK(6204LLB)	1
175		2C-2385-A	Collar		1
176		2C-2382-A	Pulley		1
177		BL1-A-40-R	V Belt	A-40	1
178		BE1-6204UU	Ball bearing	62042NK(6204LLB)	1
179		COL1-020030015B	Collar (1)	2C-2353 (Previous)	1
180		BT1-M08*015	Hex. bolt	M8*15	4
181		ZG1-M08-U	Plain Washer	M8	4
182	2C3	NT3-AN05	Bearing nut	AN05	1
183	2C3	ZG5-AW05	Bearing washer	AW05	1
184	2C3	BE1-6005ZZ	Ball bearing	6005ZZ	1
185	2C3	2C-2114-A	Packing		1
186	2C3	2C-2101-5G	Rack sleeve		1
187	2C3	BE6-51107	Thrust ball bearing	51107	1
188	2C3	BE1-6007ZZ	Ball bearing	6007ZZ	1
189	2C3	2C-2103-5B	Collar		1
190	2C3	2C-2102-5J	Spindle		1
191		2C-2313-A	Cap		1
192		BT6-M06*010	Cross recessed head machine screw	M6*10	3

## 10. PARTS LIST

NO	Spec	Parts number	Part name	Remark	Q'ty
193		PN1-06*020	Parallel pin	6h7*20	1
194		2C-2301-F	Head cover		1
195		PN1-06*020	Parallel pin	6h7*20	1
196		BT2-M06*035	Hex socket head bolt	M6*35	7
197		BE1-6206Z	Ball bearing	6206Z	1
198		COL1-030040007B	Collar (1)	2C-2312 (Previous)	1
199		2C-2310-A	Gear (32T)		1
200		2C-2305-5B	Sleeve	(φ42*1830)	1
201		KY1-07*07*028RR	Parallel key	7*7*28RR	1
202		BE1-6006	Ball bearing	6006	1
203		SE2-SB30397	Oil seal	SB30397	1
204		2C-2306-A	case		1
205		OR1-G055	O ring	G55	1
206		PN3-05*036	Spring pin	5*36	1
207		KN-41-A	Knob		1
208		2C-2341-A	Handle		1
209		2C-2340-B	Boss		1
210		OR1-P015	O ring	P15	1
211-1		2C-2334-1A	Guide		1
211-2		RG1-S012	Stop ring	S12	1
212		BTA-M06*010-K	Hex. socket head stop screw	M6*10K	1
214		2C-2337-9A	Shifter		1
215		2C-2338-A	Pin		1
216		2C-2339-1B	Shifter		1
217		2C-2359-3A	Motor pulley		1
218		BTA-M06*012-K	Hex. socket head stop screw	M6*12 (Cup point)	1
219	75F	MO1-0.75KW*4*200F	Motor	IKS-FBK8	1
220		BT1-M08*025	Hex. bolt	M8*25	4
221		ZG1-M08-U	Plain Washer	M8	4
222		NT1-M12	Hex. nut	M12	1
223		ZG2-M12	Spring washer	M12	1
224		NT1-M12	Hex. nut	M12	1
225		ZG2-M12	Spring washer	M12	1
226		4C-2364-2B	Base (Motor)		1
227		2C-2366-3B	Guide		1
228		4B-2365-3B	Guide		1
229		NT3-AN01	Bearing nut	AN01	1
230		ZG5-AW01	Bearing washer	AW01	1
231		2C-2401-5C	Worm	(φ34*1100)	1
232		OR1-G035	O-ring	G35	1
233		2C-2316-A	Holder		1
234		SE2-SB17287	Oil seal	SB17287	1
235		BE1-6203	Ball bearing	6203	1
236		RG3-WR30	Retaining ring uniform section	WR30	1
237		2C-2322-A	Gear (30T)		1
238		KY1-05*05*022RR	Parallel key	5*5*22RR	2
239		2C-2320-A	Gear(23T)		1
240		KY1-04*04*016RR	Parallel key	4*4*16RR	1



NO	Spec	Parts number	Part name	Remark	Q'ty
241		KY1-05*05*037RR	Parallel key	5*5*37RR	1
242		2C-2315-8B	Shaft(A)		1
243		BE1-6203Z	Ball bearing	6203Z	1
244		OR1-G030	O ring	G30	1
245		2C-2328-B	Collar		1
246		BE1-6202	Ball bearing	6202	1
247		BE8-AS1102	Thrust washer	AS1102	2
248		KY1-05*05*018RR	Parallel key	5*5*18RR	2
249		2C-2330-9C	Gear(18T)		1
250		2C-2330-8D	Gear(32T)		1
251		RG1-S028	Stop ring	S28	1
252		2C-2327-8B	Shaft(B)	( $\phi$ 22*102)	1
253		KY1-05*05*037RR-	Parallel key	5*5*37(-0.06-0.08)	1
254		BE1-6202Z	Ball bearing	6202Z	1
255		OR1-P036	O ring	P36	1
256		2C-2348-B	Collar		1
257		BE1-6004	Ball bearing	6004	1
258		2C-2347-8C	Shaft(C)		1
259		KY1-05*05*037RR	Parallel key	5*5*37RR	1
260		BE1-6004LB	Ball bearing	6004LB	1
261		2C-2807-A	Name plate		1
262		2C-2901-B	Center (Drift)		1
267		3C-2901-A	Handle	Black	2