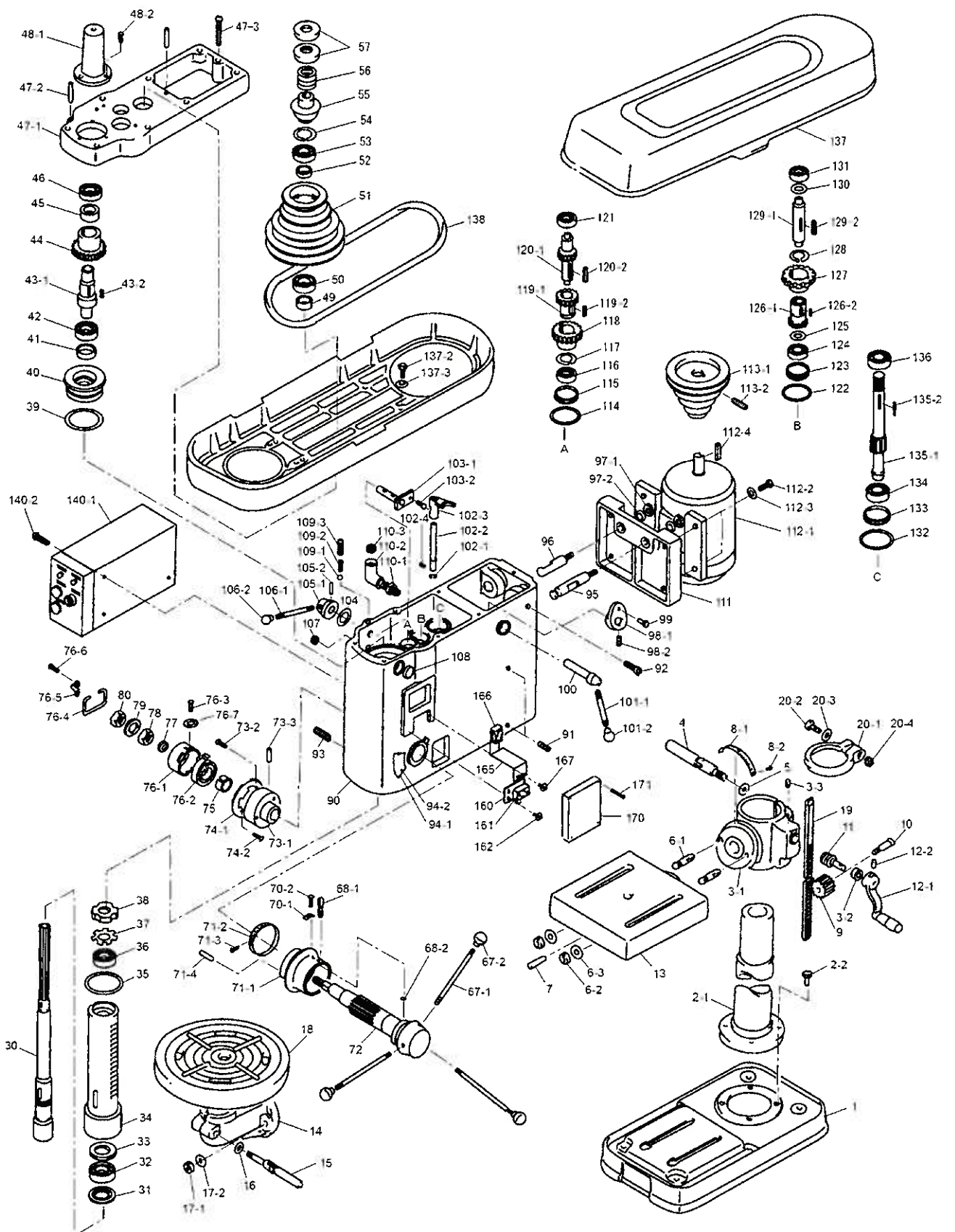


13. PARTS LIST



13. PARTS LIST

NO	Spec	Parts number	Part name	Remark	Q'ty
1		KI-1-C	Bed		1
2-1	C	KI-2-F	Column		1
2-1	200L	KI-2-4D	Column	200mm	1
2-2		BT1-M10*035	Hex. bolt	M10*35	4
3-1		KI-4-G	Bracket		1
3-2		KI-79-A	Bush		1
3-3		BTA-M06*0*15-K	Hex. socket head stop screw	M6*15 (Cup point)	1
4		AS1-KI-5-1B	Clamp bolt with handle		1
5		ZG1-M12	Plain washer	M12	1
6-1		KI-8-A	Bolt		2
6-2	S4	NT1-M16	Hex. nut	M16	2
6-3	S4	ZG1-5/8-A	Plain washer	5/8	2
7		PN2-06*030	Taper pin	6*30	1
8-1	S4	KI-4-2B	Name plate		1
8-2	S4	BTD-#2*5	Tack	#2*4.8	2
9		KI-76-A	Gear(16T)		1
10		KI-77-B	Shaft		1
11		KI-78-1	Shaft (Worm)		1
12-1		KI-81-D	Handle		1
12-1		KI-1059-C	Pin		1
12-1		KI-1060-D	Knob		1
12-2		BTA-M08*012-K	Hex. socket head stop screw	M8*12 (Cup point)	1
13	S4	KI-7-D	Table		1
14	R4	KI-4R-D	Holder		1
15	R4	AS1-KI-5-1B	Clamp bolt with handle		1
16	R4	ZG1-M12	Plain washer	M12	1
17-1	R4	NT1-M16	Hex. nut	M16	2
17-2	R4	ZG1-5/8-A	Plain washer	5/8	2
18	R4	KI-7R-D	Table		1
19		KI-85-D	Rack	16*20*620	1
20-1		KI-89-B	Stop ring		1
20-2		BT1-M08*055	Hex. Bolt	M8*55	1
20-3		ZG1-M08-U	Plain washer	M8	1
20-4		NT1-M08	Hex. nut	M8	1
30	2C3	2C-2102-5J	Spindle		1
31	2C3	2C-2103-5B	Collar		1
32	2C3	BE1-6007ZZ	Ball bearing	6007ZZ	1
33	2C3	BE6-51107	Thrust ball bearing	51107	1
34	2C3	5C-2101-5F	Rack sleeve		1
35	2C3	2C-2114-A	Packing		1
36	2C3	BE1-6005ZZ	Ball bearing	6005ZZ	1
37	2C3	ZG5-AW05	Bearing washer	AW05	1
38	2C3	NT3-AN05	Bearing nut	AN05	1
39		OR1-G055	O ring	G55	1
40		2C-2306-A	Case		1
41		SE2-SB30397	Oil seal	SB30397	1
42		BE1-6006	Ball bearing	6006	1
43-1		2C-2305-5B	Sleeve	(φ42*1830)	1
43-2		KY1-07*07*028RR	Parallel key	7*7*28RR	1
44		2C-2310-A	Gear (32T)		1
45		COL1-030040007B	Collar(1)	2C-2312	1
46		BE1-6206Z	Ball bearing	6206Z	1
47-1		2C-2301-F	Head cover		1
47-2		PN1-06*020	Parallel Pin	6h7*20	2

NO	Spec	Parts number	Part name	Remark	Q'ty
47-3		BT2-M06*035	Hex socket head bolt	M6*35	7
48-1		2C-2313-A	Cap		1
48-2		BT6-M06*010	Cross recessed head machine screw	M6*10	3
49		COL1-020030015B	Collar(1)	2C-2353	1
50		BE1-6204UU	Ball bearing	62042NK(6204LLB)	1
51		2C-2382-A	Pulley		1
52		2C-2385-A	Collar		1
53		BE1-6204UU	Ball bearing	62042NK(6204LLB)	1
54		RG1-R047	Stop ring	R47	1
55		2C-2381-A	Clutch		1
56		3C-2311-A	Coil spring		1
57		2C-2386-A	Nut		2
67-1		R-44-A	Handle		3
67-2		R-45-B	Knob		3
68-1		BT3-M08*015A-2	Butterfly bolt		1
68-2		KI-53-1A	Clamp piece		1
70-1		3C-2212-A	Dog		1
70-2		BTJ-M03*008-P3-M	Cross recessed head sems screw	M3*8	1
71-1		4C-2207-3A	Flange		1
71-2		KI-50-B	Name plate		1
71-3		BTD-#2*5	Tack	#2*4.8	2
71-4		PN3-04.5*016	Spring Pin	4.5*16	1
72		AS0-4C2201-3	Pinion Shaft (Ass'y)		1
73-1		2C-2246-B	Bush		1
73-2		BT6-M06*020-PL	Cross recessed head machine screw	M6*20	3
73-3		PN3-05*022	Spring Pin	5*22	1
74-1		2C-2261-B	Plate		1
74-2		BT7-M03*006-PL	Countersunk head screw	M3*6	3
75		2C-2252-A	Collar		1
76		2C-2250A	Spring case set		1
76-1		2C-2250-2B	Case		1
76-2		2C-2249-A	Spiral spring		1
76-3		BT6-M04*008-PL	Cross recessed head machine screw	M4*8	1
76-4		2C-2263-B	Handle		1
76-5		2C-2264-B	Handle stop ring		2
76-6		BT6-M04*006	Cross recessed head machine screw	M4*6	4
76-7		ZG1-M04-PL	Plain washer	M8	1
77		COL1-015025006B	Collar(1)	2C-2253-2	1
78		3B-2219-A	Nut		1
79		ZG1-M14	Plain washer	M14	1
80		3B-2245-A	Nut		1
90		5C-2001-O	Head		1
91		BTA-M12*015-K	Hex. socket head stop screw	M12*15 (Cup point)	4
92		BT1-M10*030	Hex. bolt	M10*30	2
93		2C-2115-A	Key	BTG-M10*020	1
94-1		4C-2804-2A	Name plate		1
94-2		BTD-#2*5	Tack	#2*4.8	2
95		4B-2365-3B	Guide		1

13. PARTS LIST

NO	Spec	Parts number	Part name	Remark	Q'ty
96		2C-2366-3B	Guide		1
97-1		NT1-M12	Hex. nut	M12	2
97-2		ZG2-M12-U	Spring washer	M12	2
98-1		2C-2374-C	Shifter		1
98-2		BTA-M10*012-K	Hex. socket head stop screw	M10*12 (Cup point)	1
99		3B-2376-A	Pin		1
100		2C-2368-2B	Shaft		1
101-1		2C-2341-A	Handle		1
101-2		KN-41-A	Knob		1
102-1		RG1-S012	Stop ring	S12	1
102-2		2C-2334-1A	Guide		1
102-3		2C-2337-9A	Shifter		1
102-4		BTA-M06*010-K	Hex. socket head stop screw	M6*10K	1
103-1		2C-2339-1B	Shifter		1
103-2		2C-2338-A	Pin		1
104		OR1-P015	O ring	P15	1
105-1		2C-2340-B	Boss		1
105-2		PN3-05*036	Spring pin	5*36	1
106-1		2C-2341-A	Handle		1
106-2		KN-41-A	Knob		1
107		BTE-PT03	Hex socket head plug	PT3/8	1
108		OG1-VA-01	Oil pot window	VA-01	1
109-1		BEZ-1/4	Steel ball	1/4	1
109-2		2C-2345-A	Coil spring		1
109-3		BTG-M08*008	Slotted set screw	M8*8	1
110-1		WC3-PT03-45	Elbow		1
110-2		WC1-PT03	Nipple	PT3/8	1
110-3		BTE-PT03	Hex socket head plug	PT3/8	1
111		4C-2364-2B	Base (Motor)		1
112-1	75U	MO1-0.75KW*4*200U	Motor	FEU-90LH(19)	1
112-2		BT1-M08*020	Hex. bolt	M8*20	4
112-3		ZG1-M08-U	Plain washer	M8	4
112-4		OTZ-08*07*035HH	Parallel key	For motor	1
113-1		2C-2359-3A	Motor pulley		1
113-2		BTA-M06*012-K	Hex. socket head stop screw	M6*12 (Cup point)	1
114		OR1-G035	O ring	G35	1
115		5C-2316-A	Holder		1
116		BE1-6203	Ball bearing	6203	1
117		RG3-WR30	Retaining ring uniform section	WR30	1
118		2C-2322-A	Gear(30T)		1
119-1		2C-2320-A	Gear(23T)		1
119-2		KY1-05*05*022RR	Parallel key	5*5*22RR	2
120-1		5C-2315-8A	Shaft(A)		1
120-2		KY1-05*05*037RR	Parallel key	5*5*37RR	1
121		BE1-6203Z	Ball bearing	6203Z	1
122		OR1-G030	O ring	G30	1
123		2C-2328-B	Collar		1
124		BE1-6202	Ball bearing	6202	1

NO	Spec	Parts number	Part name	Remark	Qty
125		BE8-AS1102	Thrust washer		
126-1		2C-2330-9C	Gear(18T)		1
126-2		KY1-05*05*018RR	Parallel key	5*5*18RR	2
127		2C-2330-8D	Gear(32T)		1
128		RG1-S028	Stop ring	S28	1
129-1		2C-2327-8B	Shaft(B)	(φ22*102)	1
129-2		KY1-05*05*037RR	Parallel key	5*5*37RR	1
130		BE8-AS1102	Thrust washer	AS1102	1
131		BE1-6202Z	Ball bearing	6202Z	1
132		OR1-P036	O ring	P36	1
133		2C-2348-B	Collar		1
134		BE1-6004	Ball bearing	6004	1
135-1		2C-2347-8C	Shaft(C)		1
135-2		KY1-05*05*037RR	Parallel key	5*5*37RR	1
136		BE1-6004LB	Ball bearing	6004LB	1
137		2C-2601-A	Cover (Ass'y)		1
137-2		BT1-M08*015	Hex. bolt	M8*15	4
137-3		ZG1-M08-U	Plain washer	M8	4
138		BL1-A-40-R	V Belt	A-40	1
140-1		5C-2751-200V	Control box		1
140-2		BT6-M06*010	Cross recessed head machine screw	M6*10	3
160		4C-2722-A	Plate		1
161		EP5-V-10-1A5	Micro switch		1
162		BTH-M04*010-P3-M	Cross recessed head upset bolt	M4*10-P3-M	2
165		5C-2723-2A	Plate		1
166		EP5-V-10-1A5	Micro switch		1
167		BTH-M04*010-P3-M	Cross recessed head upset bolt	M4*10-P3-M	2
170		4C-2727-B	Cover		1
171		BT6-M04*022	Cross recessed head machine screw	M4*22	4
172		5C-2801-8A	Name plate		1
173		BTD-#2*5	Tack	#2*4.8	4
174		2C-2807-A	Name plate		1
175		2C-2901-B	Center (Drift)		1
179		3C-2901-A	Handle	Black	2