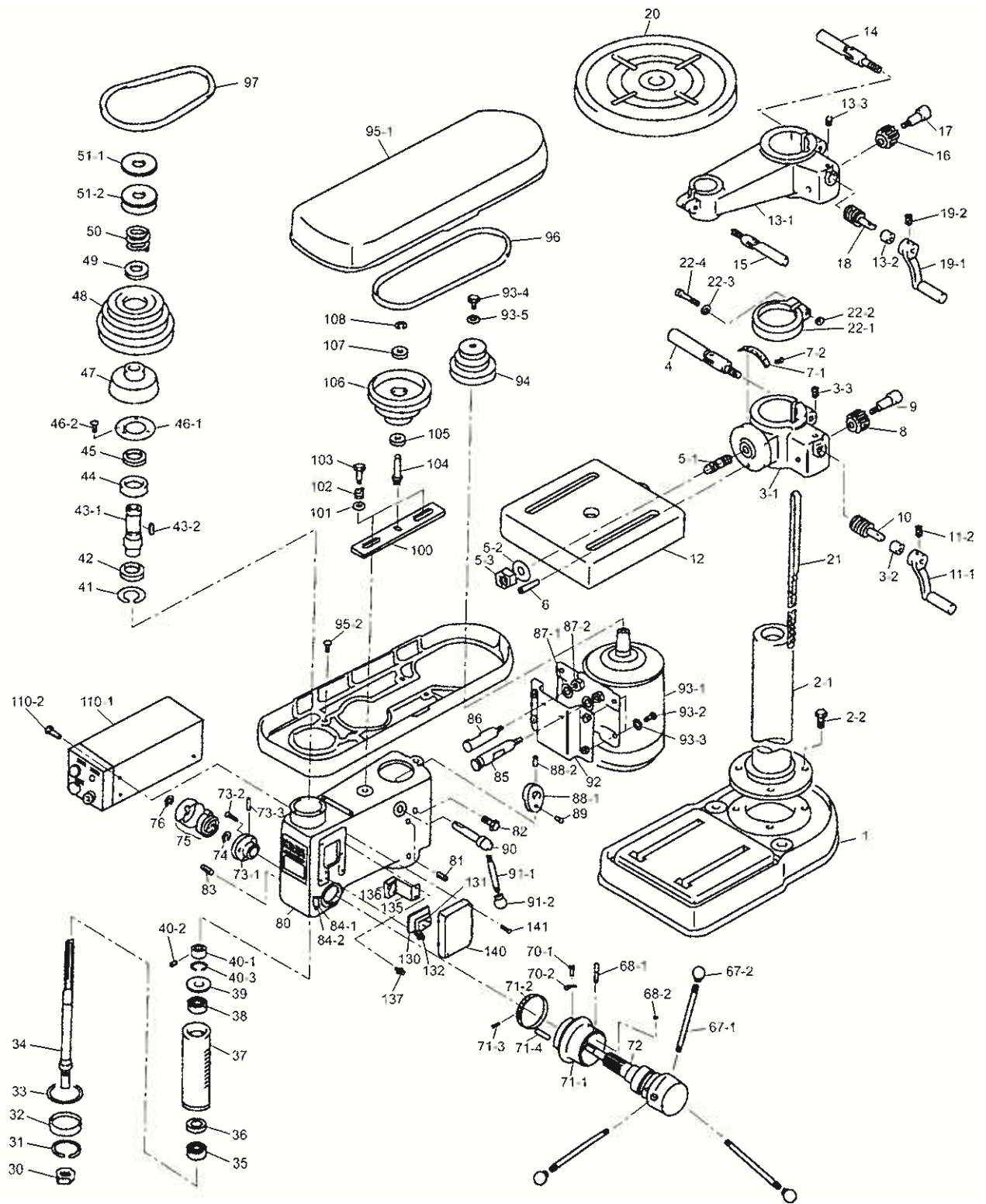


13. PARTS LIST



NO	Spec	Parts number	Part name	Remark	Q'ty
1		R-1-C	Bed		1
2-1	C	R-1002-B	Column		1
2-2		BT1-M10*030	Hex. bolt	M10*30	4
3-1	S3	NS-4-E	Bracket		1
3-2	S3	KI-79-A	Bush		1
3-3	S3	BTA-M06*015-K	Hex. socket head stop screw	M6*15 (Cup point)	1
4	S3	AS1-R-5	Clamp bolt with handle		1
5-1	S3	S-8-A	Bolt		1
5-2	S3	ZG1-M16-U	Plain washer	M16	1
5-3	S3	NT1-M16	Hex. nut	M16	1
6	S3	PN2-06*030	Taper pin	6*30	1
7-1	S3	KS-4-2B	Name plate (Scale)		1
7-2	S3	BTD-#2*5	Tack	#2*48	2
8	S3	KI-76-A	Gear(16T)		1
9	S3	KI-77-B	Shaft		1
10	S3	KI-78-1	Shaft (Worm)		1
11-1	S3	NR-87-C	Handle		1
11-2	S3	BTA-M08*010-K	Hex. socket head stop screw	M8*10 (Cup point)	1
12	S3	S-7-E	Table		1
13-1	R3	NR-4-E	Bracket		1
13-2	R3	KI-79-A	Bush		1
13-3	R3	BTA-M06*015-K	Hex. socket head stop screw	M6*15 (Cup point)	1
14	R3	AS1-R-5	Clamp bolt with handle		1
15	R3	AS1-R-8	Clamp bolt with handle		1
16	R3	KI-76-A	Gear(16T)		1
17	R3	KI-77-B	Shaft		1
18	R3	KI-78-1	Shaft (Worm)		1
19-1	R3	NR-87-C	Handle		1
19-2	R3	BTA-M08*010-K	Hex. socket head stop screw	M8*10 (Cup point)	1
20	R3	R-7-C	Table		1
21	C	NR-85-A	Rack	(□10*15*635)	1
22-1		3B-2003-A	Stop ring		1
22-2		NT1-M08	Hex. nut	M8	1
22-3		ZG1-M08-U	Plain washer	M8	1
22-4		BT1-M08*050	Hex bolt (Continuous thread)	Black	1
30	JT6	NR-17-A	Nut		1
31		NR-15-3B	Stop ring		1
32		NR-15-2A	Collar		1
33		3C-2114-A	Packing		1
34	JT6	NR-20-I	Spindle(JT6)	(φ25*329)	1
35	JT6	BE1-6203ZZ	Ball bearing	6203ZZ	1
36	JT6	BE6-51103	Thrust ball bearing	51103	1
37	JT6	NR-15-H	Rack sleeve		1
38	JT6	BE1-6202ZZ	Ball bearing	6202ZZ	1
39	JT6	R-25C-A	Collar		1
40-1	JT6	R-25-A	Collar		1
40-2	JT6	BTA-M06*006-K	Hex. socket head stop screw	M6*6 (Cup point)	1
40-3	JT6	R-25B-A	Stop ring		1
41		RG1-R052	Stop ring	R52	1

13. PARTS LIST

NO	Spec	Parts number	Part name	Remark	Q'ty
42		BE1-6205ZZ	Ball bearing	6205ZZ	1
43-1		3C-2301-F	Shaft		1
43-2		KY1-05*05*016RR	Parallel key	5*5*16RR	1
44		R-30-B	Collar		1
45		BE1-6205ZZ	Ball bearing	6205ZZ	1
46-1		NR-30-1	Cover		1
46-2		BT6-M06*010	Cross recesses head machine screw	M6*10	3
47		3C-2307-B	Clutch		1
48		3C-2309-B	Pulley		1
49		BE6-51107	Thrust ball bearing	51107	1
50		3C-2311-A	Coil spring		1
51-1		3C-2312-A	Nut		1
51-2		3C-2313-A	Nut		1
67-1		4B-2227-A	Handle		3
67-2		R-45-B	Knob		3
68-1		BT3-M08*015A-2	Butterfly bolt		1
68-2		KI-53-1A	Clamp piece		1
70-1		BTJ-M03*008-P3-M	Cross recessed head semi screw	M3*8	1
70-2		3C-2212-A	Dog		1
71-1		3C-2207-3B	Sleeve		1
71-2		NR-50-B	Name plate		1
71-3		BTD-#2*5	Tack	#2*4.8	2
71-4		PN3-04.5*016	Spring pin	4.5*16	1
72		ASO-3C2201-3	Pinion shaft (Ass'y)		1
73-1		3C-2240-1D	Bush		1
73-2		BT7-M04*015	Countersunk head screw	M4*15	3
73-3		PN3-03*012	Spring pin	3*12	1
74		RG1-S018	Stop ring	S18	1
75		3C-2244-1A	Spring case		1
75		12B-2243-D	Spring		1
75		3C-2244A	Spring case set		1
76		RG1-S018	Stop ring	S18	1
80		3C-2001-H	Head		1
81		BTA-M10*010-K	Hex. socket head stop screw	M10*10 (Cup point)	2
82		BT1-M10*025	Hex. bolt	M10*25	2
83		2C-2115-A	Key	BTG-M10*020	1
84-1		3C-2804-2B	Name plate		1
84-2		BTD-#2*5	Tack	#2*4.8	2
85		3B-2365-2A	Guide		1
86		3C-2366-2B	Guide		1
87-1		ZG2-M12	Spring washer	M12	2
87-2		NT1-M12	Hex. nut	M12	2
88-1		3B-2374-A	Shifter		1
88-2		BTA-M10*012-K	Hex. socket head stop screw	M10*12 (Cup point)	1
89		3B-2376-A	Pin		1
90		3C-2368-2C	Shifter		1
91-1		2C-2341-A	Handle		1
91-2		KN-41-A	Knob		1
92		3C-2364-B	Base (Motor)		1

NO	Spec	Parts number	Part name	Remark	Q'ty
93-1	44U	MO1-0.4KW*4*200U	Motor	FEU-80LHTS(9)	1
93-2		BT1-M08*020	Hex. bolt	M8*20	4
93-3		ZG1-M08-U	Plain washer	M8	4
94	44U	3C-2360-A	Pulley (Motor)		1
95-1		3B-2601-A	Cover (Ass'y)		1
95-2		BT6-M06*010	Cross recessed head machine screw	M6*10	4
96		BL1-A-24	V Belt	A-24	1
97		BL1-A-27	V Belt	A-27	1
100		3C-2321-A	Holder		1
101		OTZ-M14-t3.2	Plain washer	M14(t=3.2)	2
102		3C-2330-B	Coil spring		2
103		3C-2323-A	Pin		2
104		3C-2324-B	Shaft		1
105		BE1-620ZZ	Ball bearing	620ZZ	1
106		3C-2325-A	Middle pulley		1
107		BE1-620ZZ	Ball bearing	620ZZ	1
108		RG1-S015	Stop ring	S15	1
110-1		3C-2751-200V	Control box	KAWAMOTO	1
110-2		BTJ-M05*010-P2-M	Cross recessed head semi screw	M5*10	3
130		4C-2722-A	Plate		1
131		EP5-V-10-1A5	Micro switch		1
132		BTH-M04*010-P3-M	Cross recessed head upset bolt	M4*10-P3-M	2
135		3C-2723-3A	Bracket		1
136		EP5-V-10-1A5	Micro switch		1
137		BTH-M04*010-P3-M	Cross recessed head upset bolt	M4*10-P3-M	2
140		4C-2727-B	Cover		1
141		BT6-M04*022	Cross recessed head machine screw	M4*22	4