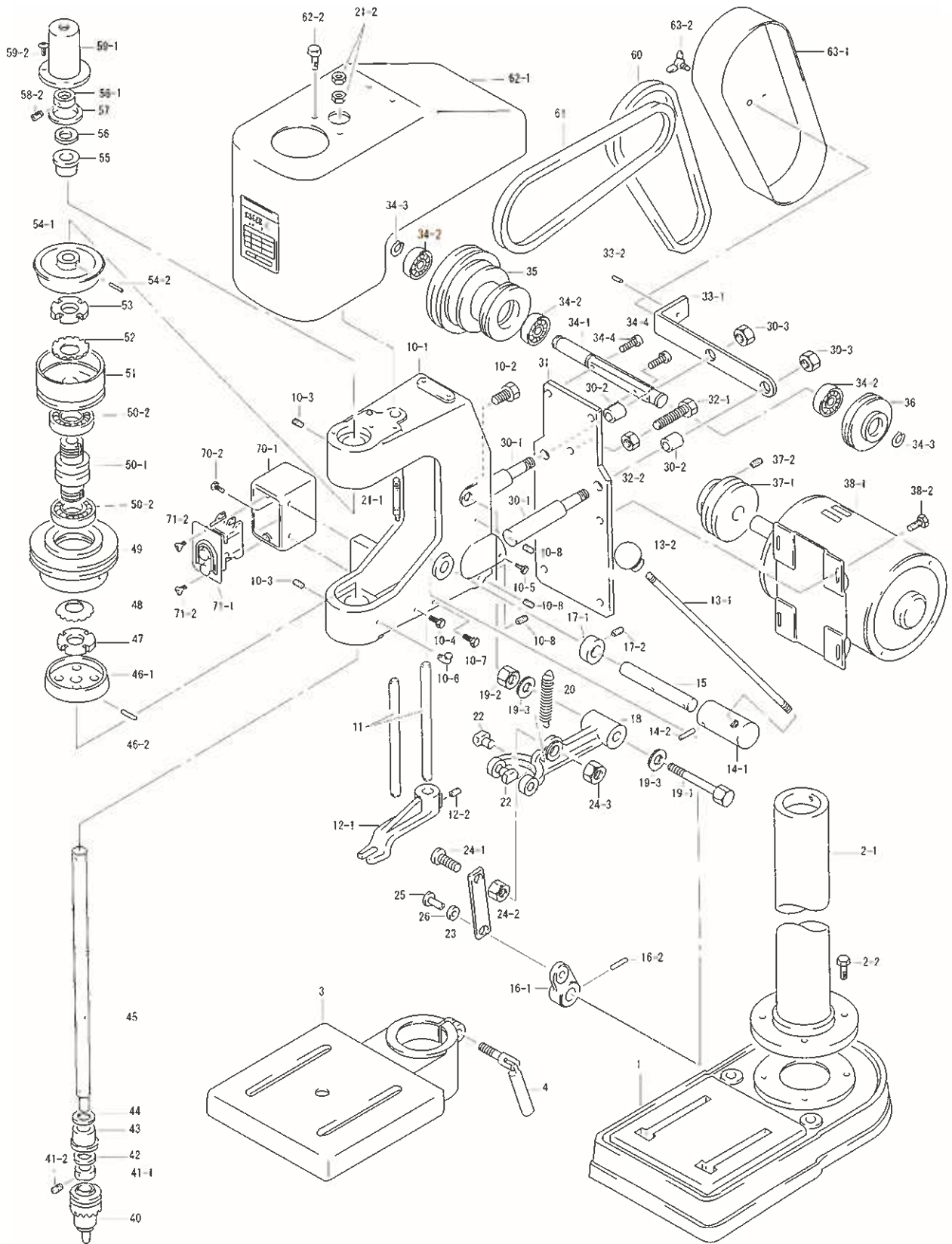


1 0 . PARTS LIST



NO	Spec	Parts number	Part name	Remark	Q'ty
1		KN-1-B	Bed		1
2-1		1C-1010	Column		1
2-2		BT1-M08*025	Hex. bolt	M8*25	4
3		KN-4-E	Table		1
4		AS1-R-8	Clamp bolt with handle		1
10-1		1C-2001-H	Head		1
10-2		BT1-M08*020	Hex. bolt	M8*20	1
10-3		BTA-M06*015-K	Hex. socket head stop screw	M6*15 (Cup point)	2
10-4		BT1-M06*040	Hex. bolt	M6*40	1
10-5		BT1-M06*015	Hex. bolt	M6*15	2
10-6		LCC-#214-M20*PT1/8	Oil cup	PT1/8	1
10-7		BT1-M06*025	Hex. bolt	M6*25	1
10-8		BTA-M08*010K	Hex. socket head stop screw	M8*10 (Cup point)	3
11		1C-2227	Stopper		2
12-1		1C-2710	Set plate		1
12-2		BTA-M06*010-K	Hex. socket head stop screw	M6*10 (Cup point)	1
13-1		1C-2224	Lever		1
13-2		KN-41-A	Knob		1
14-1		1C-2223	Handle body		1
14-2		PN3-05*030	Spring pin	5*28	1
15		1C-2221	Shifter shaft		1
16-1		1C-2222	Shifter		1
16-2		PN3-05*030	Spring pin	5*28	1
17-1		1C-2229	Collar		1
17-2		BTA-M06*008-K	Hex. socket head stop screw	M6*08 (Cup point)	1
18		1C-2201	Clutch arm		1
19-1		BT1-M10*090	Hex. bolt	M10*90	1
19-2		NT1-M10	Hex. nut	M10	1
19-3		ZG1-M10-U	Plain washer	M10	2
20		1C-2205	Spring		1
21-1		1C-2206	Balance screw		1
21-2		NT1-M08	Hex. nut	M8	2
22		1C-2208	Shifter piece		2
23		1C-2215	Pin		1
24-1		BT1-M12*035-K-109	Hex. high tension bolt	M12*35	1
24-2		NT1-M12	Hex. nut	M12	1
24-3		NT1-M12-3	Hex. nut	M12	1
25		1C-2216	Pin		1
26		COL1-008012006B	Collar (1)	1C-2220(Previous)	1
30-1		1C-2321	Tension lever		2
30-2		1C-2336	Collar		2
30-3		NT1-M12	Hex. nut	M12	2
31		1C-2334	Motor bracket		1
32-1		BT1-M10*080-Z	Hex. bolt(Continuous thread)	M10*80	1
32-2		NT1-M10	Hex. nut	M10	1
33-1		1C-2612-2B	Belt cover holder		1
33-2		PN3-04*010	Spring pin	4*10	1
34-1		1C-2316-1	Pulley shaft	(17H*172)	1
34-2		BE1-6202ZZ	Ball bearing	6202ZZ	3
34-3		RG1-S015	Stop ring	S15	2
34-4		BT2-M06*025	Hex. socket head bolt	M6*25	2

10. PARTS LIST

NO	Spec	Parts number	Part name	Remark	Q'ty
35		1C-2310	Pulley		1
36		1C-2311	Tension pulley		1
37-1		1C-2332-A	Motor pulley		1
37-2		BTA-M06*008-K	Hex. socket head stop screw	M6*8 (Cup screw)	1
38-1	252	MO1-0.25KW*4*200A	Motor	IK-SBKK8	1
38-2		BTI-M06*012-M	Cross recessed head hex. flange bolt	M6*12	4
40		TO1-#1-6.5mm	Drill chuck		1
41-1		1C-2102	Collar		1
41-2		BTA-M06*006-K	Hex. socket head stop screw	M6*6 (Cup screw)	1
42		1C-2107	Felt ring		1
43		1C-2104	Spindle metal		1
44		1C-2107	Felt ring		1
45		1C-2101	Spindle	(ϕ 19*365)	1
46-1		1C-2301-B	Clutch		1
46-2		PN3-04.5*026	Spring pin	4.5*26	1
47		NT3-AN05	Bearing nut	AN05	1
48		ZG5-AW05	Bearing washer	AW05	1
49		1C-2304-B	Pulley		1
50-1		1C-2307-B	Sleeve		1
50-2		BE1-6205ZZ	Ball bearing	6205ZZ	2
51		1C-2305-A	Pulley		1
52		ZG5-AW05	Bearing washer	AW05	1
53		NT3-AN05	Bearing nut	AN05	1
54-1		1C-2302-B	Clutch		1
54-2		PN3-04.5*026	Spring pin	4.5*26	1
55		1C-2104	Spindle metal		1
56		1C-2107	Felt ring		1
57		1C-2108	Felt ring		1
58-1		1C-2102	Collar		1
58-2		BTA-M06*006-K	Hex. socket head stop screw	M6*6 (Cup point)	1
59-1		1C-2105	Spindle cover		1
59-2		BT6-M04*008	Cross recessed head machine screw	M4*8	3
60		BL1-A-24	V Belt	A-24 (Accessory)	1
61		BL1-K-57	V Belt	K-57	1
62-1		1C-2601-2A	Head cover		1
62-2		BTI-M06*012-M	Cross recessed head hex. Flange bolt	M6*12	4
63-1		1C-2611-2	Motor pulley cover		1
63-2		BT3-M06*010-U	Butterfly bolt	M6*10	1
70-1		1C-2711-A	Box		1
70-2		BTH-M04*010-P3-M	Cross recessed head upset bolt	M4*10	2
71-1		KI-2702-2	Push button switch	BSP215NB3KRC	1
71-2		BT7-M04*008	Countersunk head screw	M4*8	2