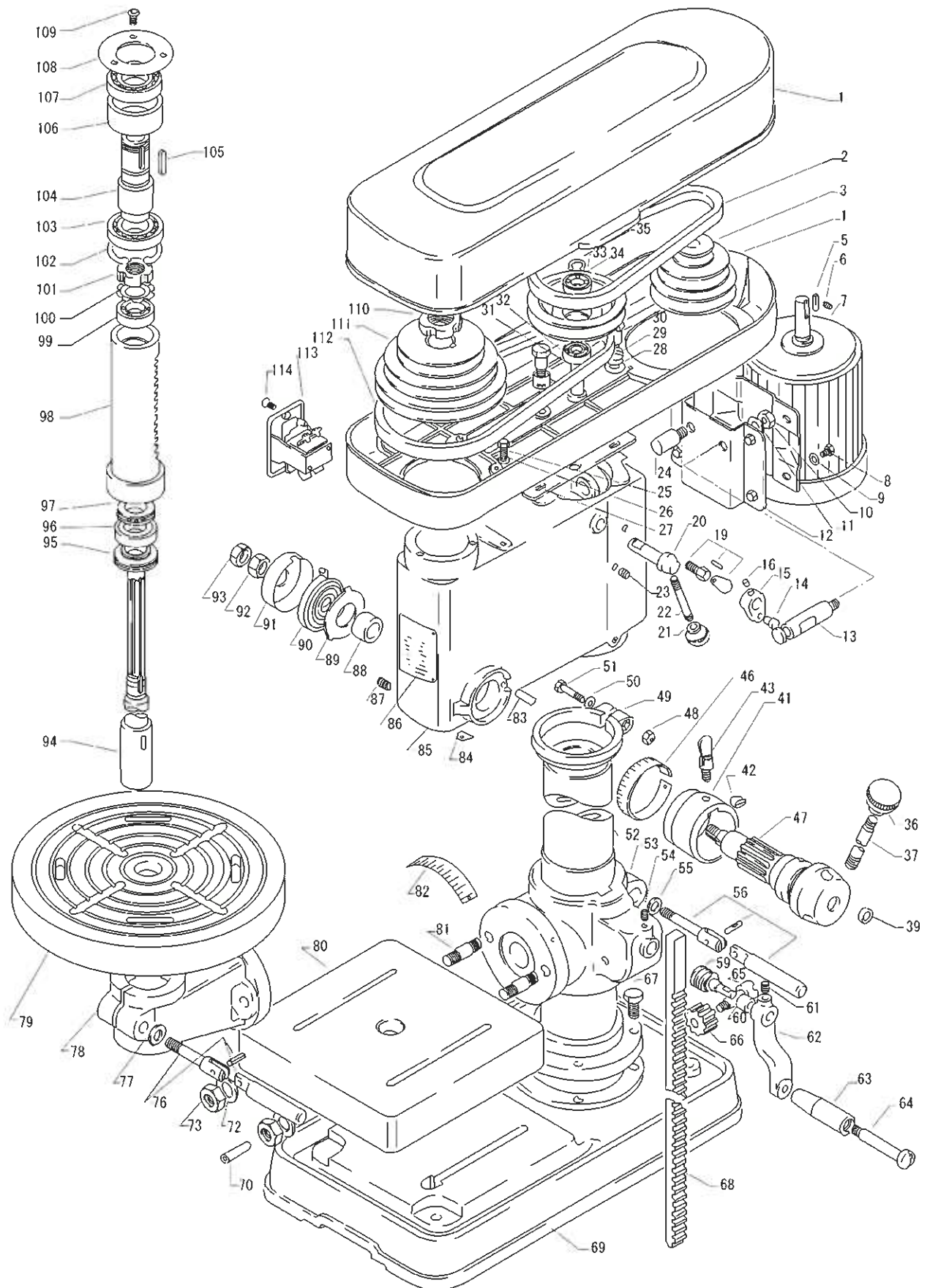


9. PARTS LIST



9 PARTS LIST

NO	Spec	Parts No.	Parts Name	Remarks	Q'ty
1		2C-2601-A	Cover Ass'y		1
2	74	BL1-A-26-R	V Belt	A-26	1
2	76	BL1-A-27-R	V Belt	A-27	1
3	74	KI-2360-1B	Pulley (Motor)	4B-2360(material)	1
3	76	16B-2360-1A	Pulley (Motor)	4B-2360(material)	1
5	74	OTZ-06*06*025HH	Parallel Key	Attached motor	1
5	76	OTZ-08*07*035HH	Parallel Key	Attached motor	1
6		BTA-M06*012-K	Hex. socket head stop screw	M6*12(Cup point)	1
7	74	MO1-0.75KW*4*200A	Motor	FEQ-80LHTSI18)	1
7	76	MO1-0.75KW*6*200B	Motor	MLH6097F	1
8		BT1-M08*020	Hex. bolt	M8*20	4
9		ZG1-M08-U	Plain washer	M8	4
10		NT1-M12	Hex. nut	M12	2
11		ZG2-M12	Spring washer	M12	2
12	74	KI-2364-4C	Base (Motor)		1
12	76	4C-2364-2B	Base (Motor)		1
13		4B-2365-3B	Guide		1
14		3B-2376-A	Pin		1
15		3B-2374-A	Shifter		1
16		BTA-M10*012-K	Hex. socket head stop screw	M10*12(Cup point)	1
19		BT1-M10*030	Hex. bolt	M10*30	1
20		4B-2368-2C	Shaft		1
21		KN-41-A	Knob		1
22		2C-2341-A	Handle		1
23		BTA-M12*015-K	Hex. socket head stop screw	M12*15(Cup point)	4
24		4B-2366-2B	Guide		1
25		BT1-M08*015	Hex. bolt	M8*15	4
26		ZG1-M08-U	Plain washer	M8	4
27		3C-2321-A	Holder		1
28		OTZ-M14-t3.2	Plain washer	M14(t-3.2)	2
29		3C-2330-B	Coil spring		2
30		3C-2323-A	Pin		2
31		KI-2324-B	Shaft		1
32		BE1-6203ZZ	Ball bearing	6203ZZ	1
33		4B-2325-A	Pulley		1
34		BE1-6203ZZ	Ball bearing	6203ZZ	1
35		RG1-S017	Stop ring	S17	1
36		KI-52-A	Knob		3
37		KI-51-A	Handle		3
39		R-42-C-A	Name plate		1
41		KI-49-2A	sleeve		1
42		KI-53-1A	Clamp piece		1
43		AS1-NR54-1	Clamp bolt with handle		1
46		KI-50-B	Name plate		1
46		BTD-#2*5	Tack	#2*4.8	2
47		AS0-KI46-2	Pinion shaft (Ass'y)		1
48		NT1-M08	Hex. nut	M8	1
49		KI-89-B	Stop ring		1
50		ZG1-M08-U	Plain washer	M8	1
51		BT1-M08*055	Hex. bolt	M8*55	1

NO	Spec	Parts No.	Parts Name	Remarks	Qty
52	C	KI-2-F	Column		1
52	200L	KI-2-4D	Column	200 mm (Long)	1
53		KI-4-G	Bracket		1
54		BTA-M06*015-K	Hex. socket head stop screw	M6*15(Cup point)	1
55		ZG1-M12	Plain washer	M12	1
56		AS1-KI-5-1B	Clamp bolt with handle		1
59		KI-78-1	Shaft (Worm)		1
60		KI-79-A	Bush		1
61		BTA-M08*012-K	Hex. socket head stop screw	M8*12(Cup point)	1
62		KI-81-D	Handle		1
63		KI-1060-D	Knob		1
64		KI-1059-C	Pin		1
65		KI-77-B	Shaft		1
66		KI-76-A	Gear(16T)		1
67		BT1-M10*035	Hex. bolt	M10*35	4
68		KI-85-D	Rack	16*20*620	1
69		KI-1-C	Bed		1
70		PN2-06*030	Taper pin	6*30	1
72		ZG1-5/8-A	Plain washer	5/8	2
73		NT1-M16	Hex. nut	M16	2
76	R4	AS1-KI-5-1A	Clamp bolt with handle		1
77	R4	ZG1-M12	Plain washer	M12	1
78	R4	KI-4R-D	Holder		1
79	R4	KI-7R-D	Table		1
80	S4	KI-7-D	Table		1
81		KI-8-A	Bolt		2
82	S4	KI-4-2B	Name plate		1
82	S4	BTD-#2*5	Tack	#2*4.8	2
83		PN2-06*030-N	Taper pin	6*30	1
84		NR-52-A	Name plate		1
84		BTD-#2*5	Tack	#2*4.8	1
85		KI-2001-I	Head		1
86		KI-2801-8A	Name plate		1
86		BTD-#2*5	Tack	#2*4.8	4
87		2C-2115-A	Key	BTG-M10*020	1
88		KI-2240-A	Bush		1
89		KI-2242-A	Holder (Spring)		1
90		KI-56-B	Spiral spring		1
91		KI-2244-A	Spring case		1
91		AS1-KI-2244-A	Spring case set		1
92		3B-2219-A	Nut		1
93		3B-2245-A	Nut		1
94		KI-20-5J	Spindle	(ϕ 38*523)	1
95		KI-21-5B	Collar		1
96		BE1-6006ZZ	Ball bearing	6006ZZ	1
97		BE6-51106	Thrust ball bearing	51106	1
98		KI-15-5H	Rack sleeve		1
99		BE1-6005ZZ	Ball bearing	6005ZZ	1
100		ZG5-AW05	Bearing washer	AW05	1
101		NT3-AN05	Bearing Nut	AN05	1
102		RG1-R072	Stop ring	R72	1

9. PARTS LIST

NO	Spec	Parts No.	Parts Name	Remarks	Qty
103		BE1-6207ZZ	Ball bearing	6207ZZ	1
104		KI-27-5D	Shaft		1
105		KY1-05*05*028RR	Parallel Key	5*5*28RR	1
106		COL1-062070035B	Collar(1)	KI-29(Previous)	1
107		BE1-6207ZZ	Ball bearing	6207ZZ	1
108		KI-30-A	Cover		1
109		BT6-M06*010	Cross recessed head machine screw	M6*10	3
110		NT3-AN07	Bearing Nut	AN07	1
111		4B-2309-B	Pulley		1
112		BL1-A-34-R	V Belt	A-34	1
113		KI-2702-2	Push button switch	BSP215NB3KRC	1
114		BT7-M04*008	Countersunk head screw	M4*8	2
115		KI-86-A	Bush	Rubber bush	2
116		2C-2114-A	Packing		1
117	76	KI-2801-6	RPM Name plate		1
118	76	COL1-024033011B	Collar	KI-2361-2(Previous)	1